

SUREFLOW™ MODEL 8682 OFFSET CONTROLLER

Description

The Model 8682 SUREFLOW™ Offset Controller is an excellent laboratory room controller. A stand-alone device, the Model 8682 ensures that the exhaust volume is greater than the supply volume for negative spaces, and less than the supply volume for positive spaces.

The Model 8682 easily integrates to the building management system, using digital communications, such as LonWorks®, BACnet™, or Modbus®, or alarm relays and analog outputs.



Features

- Stand-alone room control provides system reliability
- Offset control ensures stability of HVAC system
- Audible and visual alarms warn staff of potentially unsafe conditions
- Network communications allow for building-wide control efficiencies
- Convenient integral keypad and display support local programming
- Passwords protect unauthorized access to controller functions

Selection Chart

	8682-NS	8682-LN-NS	8682-BAC-NS
Controls Supply and General Exhaust for Room Balance	•	•	•
Controls Reheat and Supply for Temperature	•	•	•
Unoccupied Mode Reduces Supply Volume	•	•	•
Controls Dampers	•	•	•
Controls Venturi Valves*	•	•	•
Analog and Relay Outputs for Flow	•	•	•
LonWorks Communications		•	
Modbus® & Johnson Controls' N2 Communications	•		
BACnet™ MSTP Communications			•

*Optional versions available.

Items Included

- Digital interface module
- Adaptive offset control module
- Controller output cable, 25 ft (762 cm)
- Transformer, 120:24 VAC, 50 VA
- Transformer cable, 25 ft (762 cm)

Hardware Options

- Electric actuator
- Electric actuator/damper assembly
- Electric actuator/venturi valve assembly
- Flow station
- Through-the-wall pressure sensor
- 1000 Ω platinum RTD temperature sensor
- Remote alarms

SUREFLOW is a trademark of TSI Incorporated.

BACnet is a trademark of ASHRAE.

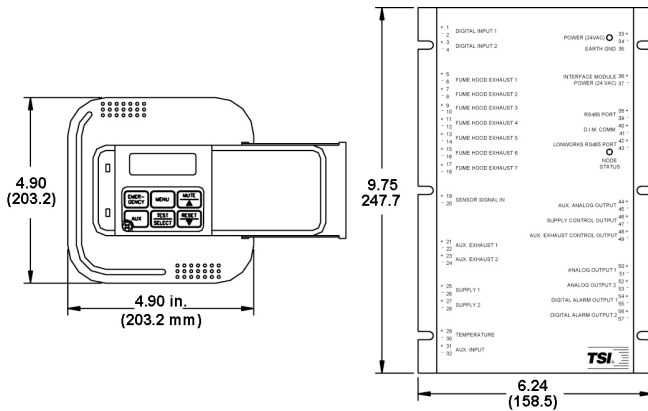
LonWorks is a registered trademark of Echelon® Corporation.

Modbus is a registered trademark of Modicon, Inc.



Digital Interface Module Specifications

Alarm Contacts	SPST (NO)* Max Current 5A Max voltage 150 VDC, 250 VAC Min switch load 10 mA, 5 DC
Flow Inputs	(4) Supply Flow (2) General Exhaust Flow (7) Fume Hood flow
Flow Station Type Accepted	0 to 5V or 0 to 10V Linear- or Pressure-Based Signal
User Configurable Analog Output	Signal: 0 to 10V or 4 to 20 mA Range: 0.100 to +0.100 in. H ₂ O (-248.8 to +248.8 Pa) <i>or</i> -0.010 to +0.010 in H ₂ O (-2.5 to +2.5 Pa)
Operating Temperature	32 to 120°F (0 to 48.8°C)
Input Power	24 VAC, 5 W max
Size (H x W x D)	4.90 in. x 4.90 in. x 1.35 in. (124.5 x 124.5 x 34.3 mm)
Weight	0.7 lb (0.3 kg)



*Relays close to indicate alarm or loss of power.
Specifications subject to change without notice.



UNDERSTANDING, ACCELERATED

TSI Incorporated – Visit our website www.tsi.com for more information.

USA	Tel: +1 800 874 2811	India	Tel: +91 80 67877200
UK	Tel: +44 149 4 459200	China	Tel: +86 10 8219 7688
France	Tel: +33 491 11 87 64	Singapore	Tel: +65 6595 6388
Germany	Tel: +49 241 523030		