

PRESSURA™ MODEL RPM10 ROOM PRESSURE MONITOR

Description

The Model RPM10 PRESSURA™ Room Pressure Monitor is designed to measure the pressure differential in hospital rooms using TSI's bi-directional pressure sensor with unmatched accuracy and stability. It features audible and visual alarms to warn of potential loss of containment and alarm delays with a door switch to avoid nuisance alarms. No Isolation Mode disables the alarms when the room is unoccupied.



Features

- Meets CDC requiring visual room pressure alarm
- Stand-alone room pressure monitor verifies system operation
- Direct pressure measurement provides continuous monitoring
- Audible and visual alarms warn staff of unsafe conditions
- No Isolation Mode disables alarms when room is used for non-infectious patients or is unoccupied
- Passwords prevent unauthorized access to menu functions

Rooms Monitored and Controlled

Max # of Rooms Monitored	1
Max # of Rooms Controlled	0

Selection Chart

RPM10

Includes TSI's High-Accuracy Through-The-Wall Sensor	•
Visual and Audible Alarms with Delays	•
Positive, Negative, and No Isolation Modes	•
Configurable Inputs and Outputs	•
BACnet® MS/TP Communications	•
LonWorks® Communications	
Modbus® Communications	•
Compatible with TSI Nurse's Station Monitor	•

Items Included

- Digital interface module
- Through-the-wall pressure sensor
- Sensor cable, 25 ft (7.6 m)

Configurable Inputs

- Flow
- Door switch or Occupancy Sensor
- Keyswitch

Configurable Outputs

- Room Pressure or Flow Analog Output
- Low Alarm Relay Output
- High Alarm or Room Mode Relay Output

Hardware Options

- Nurse's Station Remote Interface
- Remote audible alarm or audible/visual alarm
- Positive/Negative/No Isolation key switch
- Flow Station

Digital Interface Module Specifications

Display Range	-0.20000 to +0.20000 in. H ₂ O (-50 to +50 Pa)
Display Resolution	5% of reading 0.00001 in. H ₂ O
Low Alarm Range	-0.19500 to +0.19500 in. H ₂ O (-48.5 to +48.5 Pa)
High Alarm Range	-0.19500 to +0.19500 in. H ₂ O (-48.5 to +48.5 Pa)
Touchscreen Display	4.3 in. (10.9 cm) diagonal 16:9 aspect ratio, QVGA
Communications	Modbus® BACnet® MS/TP LONworks (Optional)

Dimensions	7 in. x 4.875 in. x 1.75 in. (17.8 cm x 12.4 cm x 4.4 cm) 0.625 in. (1.6 cm) protrusion
Input Power	24 VAC, 50/60 Hz 15-40 VDC, 5 W maximum
Operating Temperature	32 to 120 °F (0 to 50 °C)
Weight	14 oz (0.40 kg)

Specifications subject to change without notice.

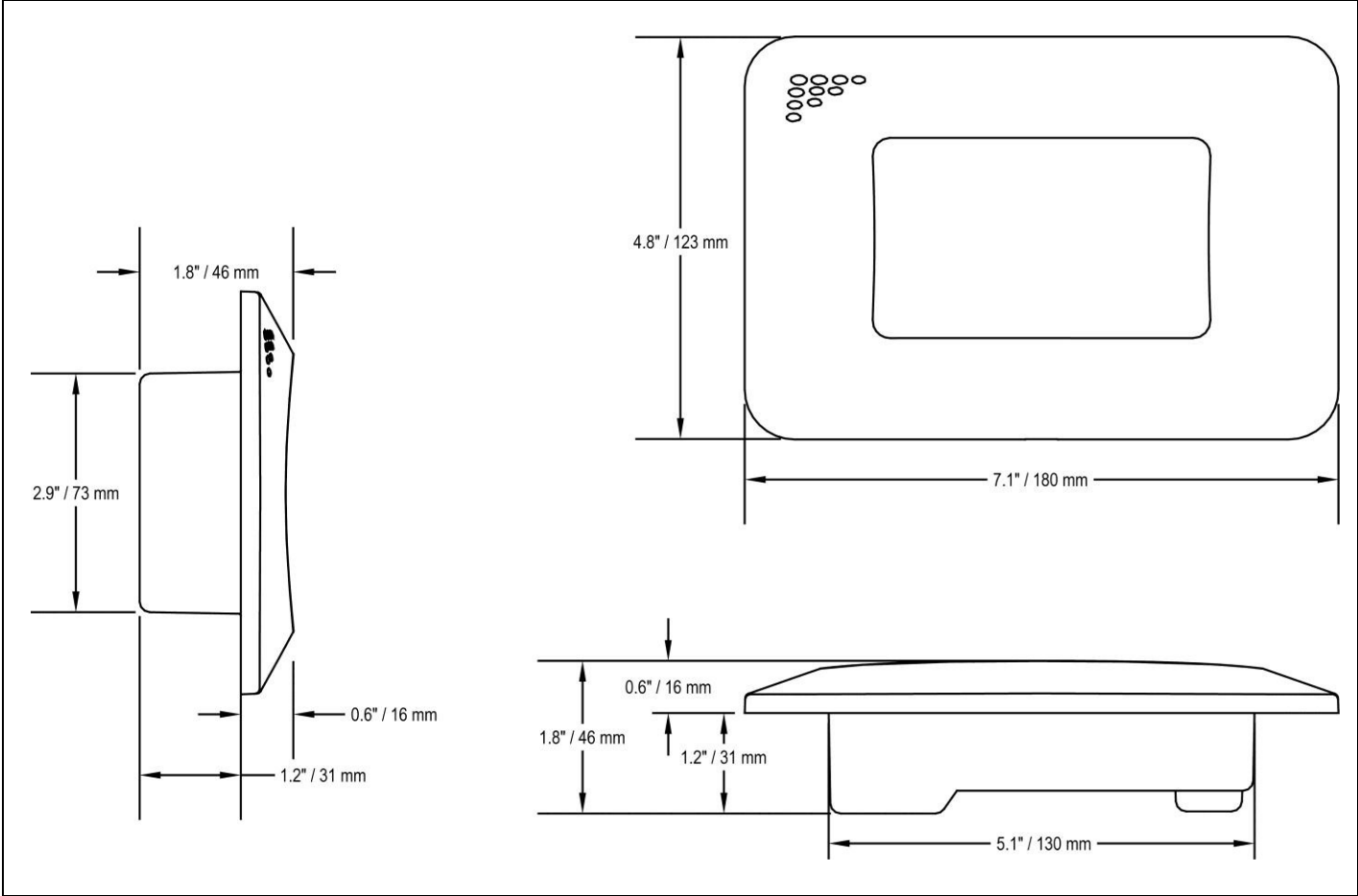
Inputs							
	Input 1	Input 2*	Input 3	Input 4	Input 5	Input 6*	Input 7
TSI Sensor	0 to 10 VDC						
Pressure Transducer	0 to 10 VDC						
Supply Flow			0 to 10 VDC				
Door Switch				Open / Closed			
Occupancy Sensor				Open / Closed			
Keyswitch					Open / Closed		
Exhaust Flow							0 to 10 VDC

* Inputs 2 & 6 are not used on Model RPM10

Outputs			
	Analog Output	Digital Output 1*	Digital Output 2*
Current Room Pressure	0 to 10 VDC / 4 to 20 mA		
Current Exhaust Flow	0 to 10 VDC / 4 to 20 mA		
Low Alarm Status		Open / Closed	
High Alarm Status			Open / Closed
Room Mode			Open / Closed

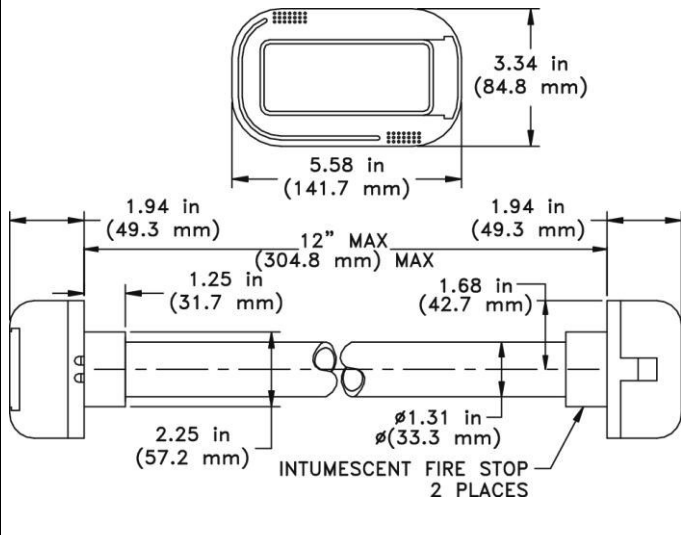
*Digital Outputs close to indicate loss of power.

Dimensions



Sensor Specifications

Range	-0.20000 to +0.20000 in. H ₂ O (-50 to + 50 Pa)
Accuracy	±10% of reading ±0.00001 in. H ₂ O (±0.0025 Pa)
Resolution	5% of reading
Temp. Comp. Range	55 to 95°F (12.7 to 35°C)
Power Dissipation	0.16 W at 0 in. H ₂ O 0.20 W at 0.00100 in. H ₂ O (0.25 Pa)
Size (H x W x D)	3.34 in. x 5.58 in. x 1.94 in. (84.8 x 141.7 x 49.3 mm)
Weight	0.2 lb (0.1 kg)



TSI and TSI logo are registered trademarks of TSI Incorporated.
PresSura is a trademark of TSI Incorporated.
BACnet is a registered trademark of ASHRAE.
Modbus is a registered trademark of Modicon, Inc.
LonWorks is a registered trademark of Echelon Corporation.



UNDERSTANDING, ACCELERATED

TSI Incorporated - Visit our website www.tsi.com for more information.

USA	Tel: +1 800 874 2811	India	Tel: +91 80 67877200
UK	Tel: +44 149 4 459200	China	Tel: +86 10 8219 7688
France	Tel: +33 491 11 87 64	Singapore	Tel: +65 6595 6388
Germany	Tel: +49 241 523030		